

Launching the MILTECH 477

Prepare for the future of remote USB connectivity with the MILTECH 477, a revolutionary device designed to share up to 5 USB devices over an IP network. Developed to meet specific military demands, it ensures secure and efficient communication sharing, empowering users to operate critical equipment remotely easily.

Description

The MILTECH 477 is a rugged, military-grade device designed to share USB 2.0 devices across multiple PCs and operating systems over an IP network. Equipped with 5 USB 2.0 ports and a built-in server, it facilitates seamless connectivity for critical military operations. Developed to meet specific customer needs, this innovative solution ensures secure, fast, and robust communication sharing of USB devices over the network.



Product Features

- Remote hub with 5 USB 2.0 ports
- Connectivity to IP network via 1GbE, shared between ports.
- Each USB port can be shared with a different client/PC.
- Each client can run a different operating system (Win/Mac/Linux)
- Dynamic allocation of ports allowing changing ownership of USB devices on the go
- SSL communication channel between client and server (hub) certificates
- Maintenance channel for easy troubleshooting and upkeep

Main Advantages

- Unique product in the military domain
- Meets all relevant military standards.
- Not limited to a specific operating system
- Allows multiple sharing to different computers.
- Secure and encrypted communication channel between client and USB hub
- Single high-speed uplink connection

Applications

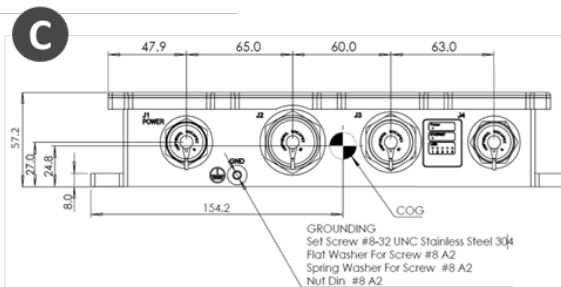
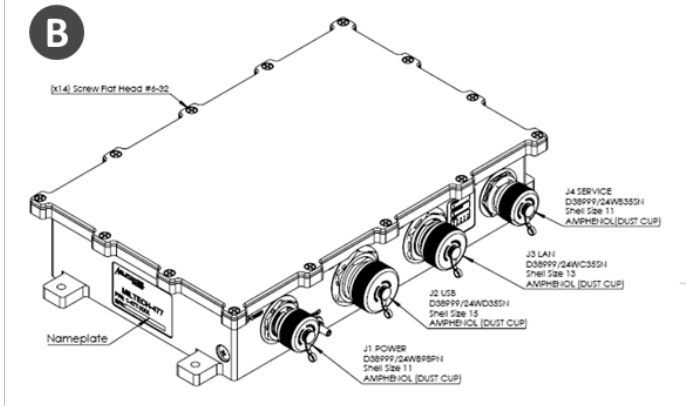
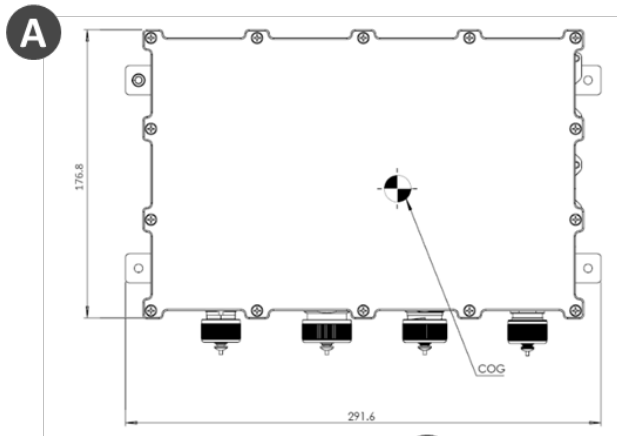
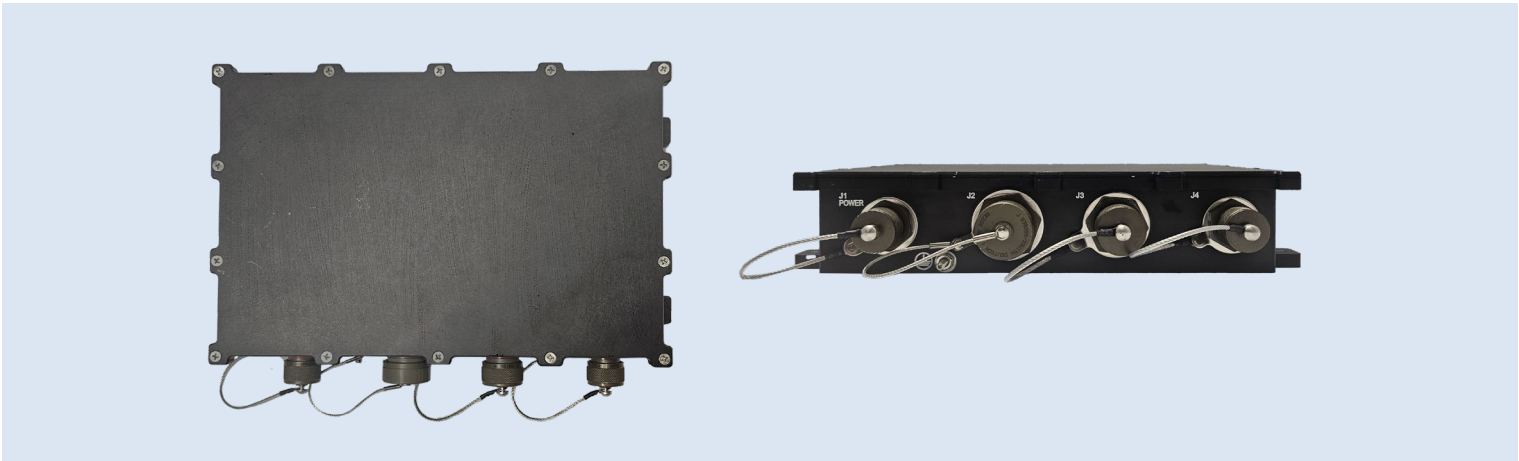
- Connect military equipment such as radios and use USBs as the communication backbone.
- Leverage USB remote connectivity to monitor debug/maintenance ports of military equipment.
- Sharing/switching control of military equipment between local PC and remote PC
- Replacing terminal servers and/or mixing multiple serial protocols using standard adapters (USB-RS232, USB-RS485, CAN bus, etc.)
- Permission-based access to shared USB devices access to network

Safety and Reliability

- Developed according to aviation standards (AS9100), ensuring safety and reliability.
- Full POD compliance for enhanced reliability

Sustainability and Efficiency

- Meets MIL-STD-810, MIL-STD-1275, and MIL-STD-704 standards.
- Ensures sustainability and efficiency in demanding military application



More Information

Stay tuned for the launch of MILTECH 477 and unlock the potential of remote USB connectivity for your military applications. Contact us at sales@milpower.com or visit www.milpower.com for more information. Phone: (603) 267-8865.