

Introducing the MILTECH 470, a rugged USB Smart hub tailored for military applications, offering advanced connectivity solutions in challenging environments. With its robust design and innovative features, it facilitates reliable communication and data sharing for essential military operations.

### Description

Elevate military connectivity to new heights with the MILTECH 470, a rugged USB Smart hub engineered to thrive in challenging environments. With advanced mesh Ethernet connectivity and Power Delivery 3.0 DRP charging capability, it seamlessly integrates with essential military devices for enhanced communication and data sharing.



### Features

- Versatile Connectivity: Connect multiple USB devices through Ethernet over rotor aircraft, soldier carry, and harsh environments
- Rugged Design: Built to withstand extreme conditions with MIL-STD-810H standards
- Advanced Technology: Mesh Ethernet connectivity with 5 USB ports and 2 x gigabit Ethernet ports
- Power Delivery 3.0 DRP: Charges up to 5 EUDs while maintaining full data connectivity
- Military-grade Compliance: Fully compliant with MIL-STD-704 and 1275 for power protection

### Main Advantages

- Allowing internet connectivity for 5 USB devices (e.g. Tablets/Smartphones)
- Supporting simultaneous data communications and USB PD 3.0 charge on all 5 USB device ports
- Integrated Gigabit Ethernet Switch allows all 5 USB ports connectivity with 2 uplinks 100/1000BT ports
- Maintenance channel for easy troubleshooting and upkeep
- Robust power supply for uninterrupted operation in challenging environments

### Applications

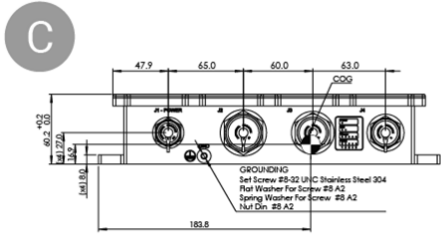
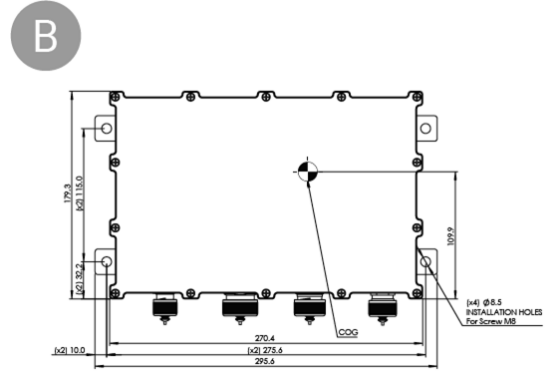
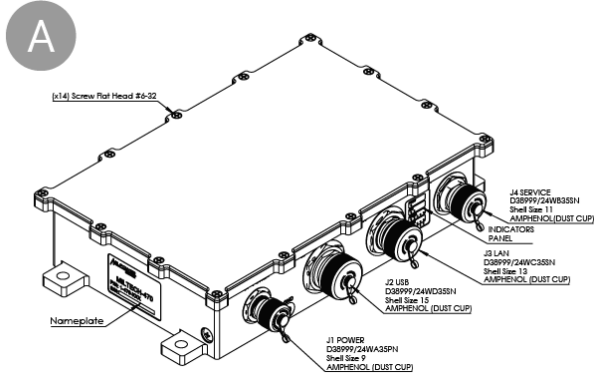
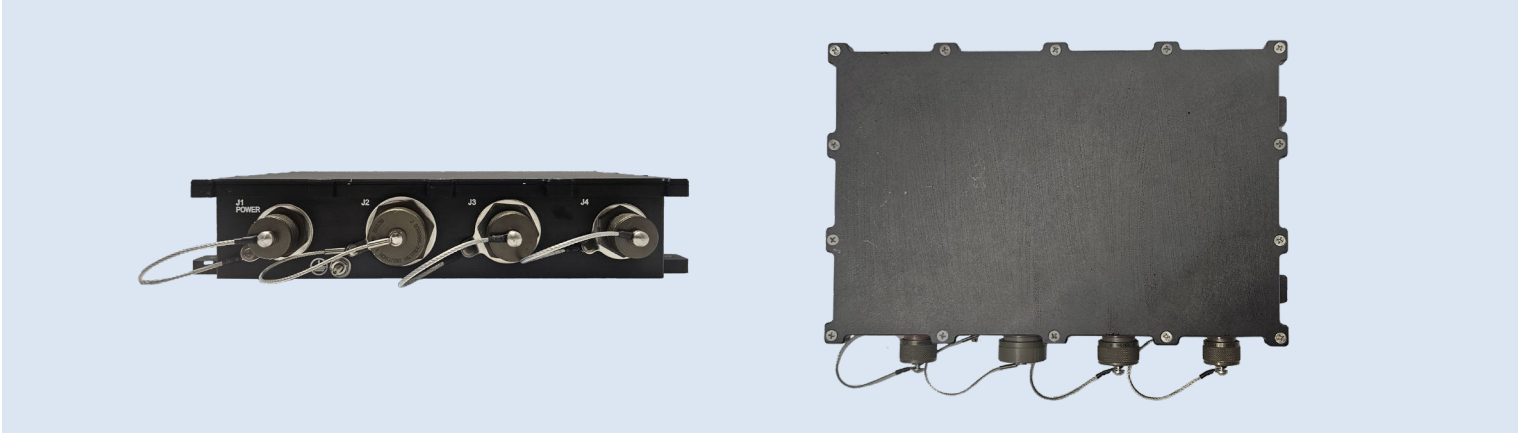
- Ideal for Nett Warrior EUD, tactical communication systems, and rugged tablets
- Enhances communication and data sharing in critical military operations

### Performance and Reliability

- Wide input range of 12-48VDC ensures fast charging and data connectivity
- MIL-STD-461G compliance for superior EMI and RFI performance
- Built-in self-test feature enhances reliability

### Benefits

- Increased efficiency and collaboration on the battlefield
- Reduced downtime with reliable connectivity and charging capabilities
- Enhanced security with military-grade compliance



*Milpower Source was honored by the 2023 Military + Aerospace Electronics Innovators Awards for the MILTECH 470's revolutionary design and impact on military connectivity. Trust in our expertise and dedication to innovation for your military networking needs.*

**More Information**

Contact our sales team today to learn more about the MILTECH 470 and how it can elevate your military operations. Visit [www.milpower.com](http://www.milpower.com) or email us at [sales@milpower.com](mailto:sales@milpower.com). Phone: (603) 267-8865.