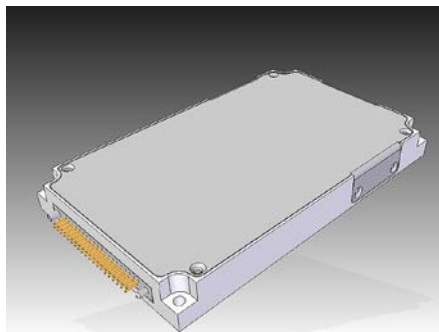


M8757 SERIES

MINIATURE, HIGH DENSITY,
FIVE OUTPUT,
DC/DC CONVERTERS
(UP TO 100W)



APPLICATIONS

Military, Ruggedized, Telecom, Industrial

SPECIAL FEATURES

- Miniature size
- High efficiency
- Wide input range
- Up to 15 W/IN³
- Input / Output isolation
- Fixed switching frequency (250 KHz)
- TTL logic enable
- EMI/RFI filters included
- Indefinite short circuit protection with auto-recovery
- Input over-voltage shutdown with auto-recovery
- Over temperature shutdown with auto-recovery

ENVIRONMENTAL

Meets or exceeds MIL-STD-810D

Temperature:

Operating -55C to +85°C (baseplate)

Storage -55C to +125°C

RELIABILITY

150,000 hours, calculated per
MIL-STD-217F at +85°C baseplate,
ground fixed.

* Specifications are subject to change without
prior notice by the manufacturer

ELECTRICAL SPECIFICATIONS

DC INPUT

DC Input range: 18 to 48 VDC

Input transient protection:

All models meet or exceed (no damage)

MIL-STD-1275A (100V for 50 mSec) and

MIL-STD-704A, MIL-STD-704D (80V for 0.1 Sec)

Over-voltage shutdown with auto-recovery

Efficiency: up to 82%

EMI/RFI:

Design to meet or exceed MIL-STD-461C

CE03, CE07, CS01, CS02, CS06, RE02, RS02, RS03

Isolation:

200V between Input and Output

200V between Input and Case

DC OUTPUT (floating)

Line/Load regulation:

Less than 1% (no load to full load, -55°C to +85°C)

Ripple and Noise: 50mVp-p, typical (max. 1%)

Current limiting:

(Output 1- Hiccup / other Output - Foldback)

Continuous protection for unlimited time

Over voltage protection:

Passive tranzorb on output.

Over temperature protection:

Shutdown at baseplate temperature of +100°C (±5°C)

Automatic recovery at baseplate temperature

lower than +90°C (±5°C)

Isolation:

200V between Output and Input

100V between Output and Case

PIN ASSIGNMENT

Pin No.	Pin Function
15, 16, 34, 35	+VIN
13, 14, 32, 33	VIN RTN
37	SYN
17	SIGNAL RTN
36	INHIBIT

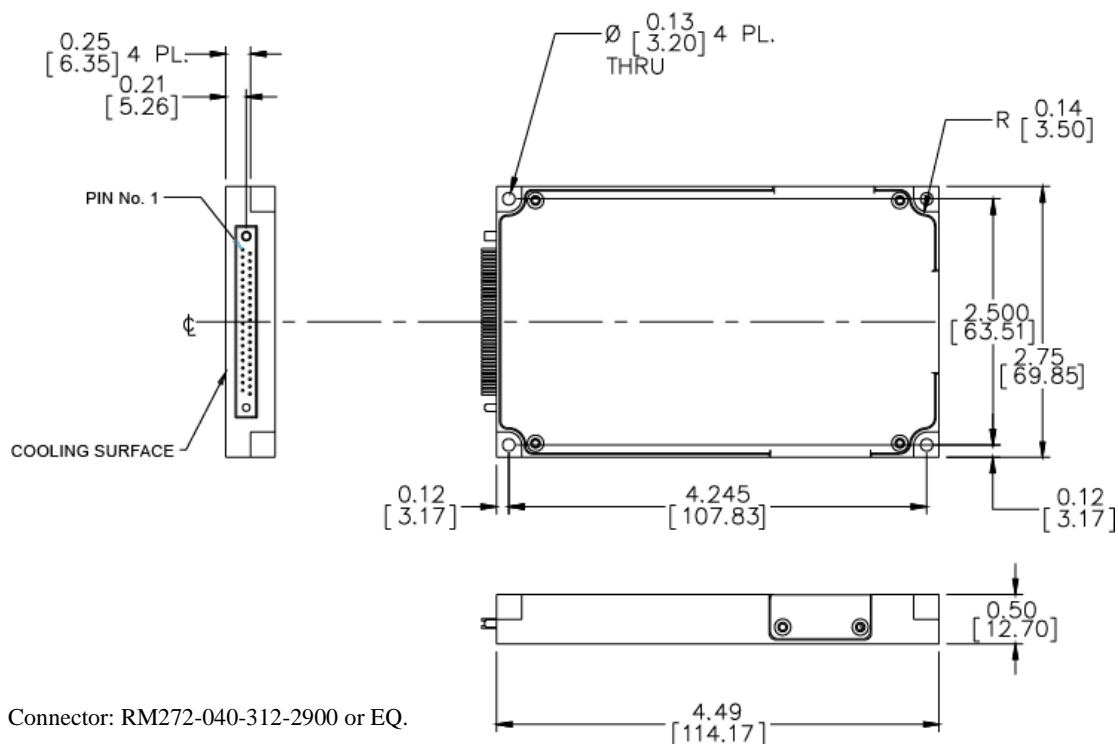
Pin No.	Pin Function
8, 9, 10, 11, 28, 29, 30, 31	+OUT 1
4, 5, 6, 7, 24, 25, 26, 27	- OUT 1
12	+ SENSE 1
23	- SENSE 1
18, 38	+ OUT 2

Pin No.	Pin Function
19, 39	- OUT 2
20	- OUT 3
40	+OUT 3
1	+OUT 4
21	- OUT 4

Pin No.	Pin Function
3	- OUT 5
2	+OUT 5
22	CHASSIS

* Signal RTN refers to VIN RTN

OUTLINE DRAWING



Notes

1. Dimensions are in Inches [mm]
2. Tolerance is:
.XX \pm 0.01 IN
.XXX \pm 0.005 IN
3. Weight: Approx. 13.4 Oz (380 gr)

* Specifications are subject to change without prior notice by the manufacturer