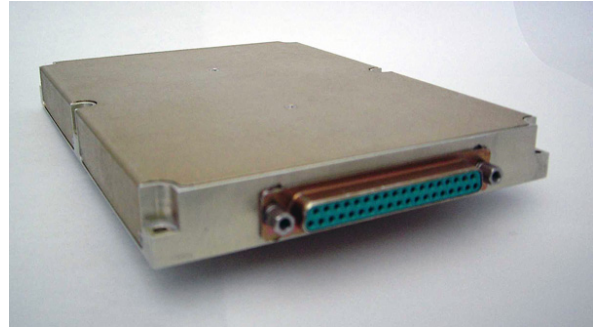


M7338 SERIES

MINIATURE, HIGH DENSITY,
TRIPLE OUTPUT
DC/DC CONVERTERS
(UP TO 600W)

APPLICATIONS

Military, Ruggedized, Telecom, Industrial



SPECIAL FEATURES

- Miniature size
- High efficiency
- Wide input range
- Very Low output impedance
(Typical: 50mΩ@28V output)
- Input / Output isolation
- Remote sense
- Parallel connection of modules
- Redundancy connection
- Fixed switching frequency (250 KHz)
- External synchronization capability
- TTL logic enable
- EMI/RFI filters included
- Indefinite short circuit protection with auto-recovery
- Over-voltage shutdown with auto-recovery
- Over temperature shutdown with auto-recovery

ENVIRONMENTAL

Meets or exceeds MIL-STD-810D

Temperature:

Operating -55°C to +85°C (baseplate)

Storage -55°C to +125°C

RELIABILITY

150,000 hours, calculated per
MIL-STD-217F at +85°C baseplate,
ground fixed.

ELECTRICAL SPECIFICATIONS

DC INPUT

DC Input range: 18 to 48 VDC

Input transient protection:

Meets or exceed (no damage)

MIL-STD-1275A (100V for 50mSec) and

MIL-STD-704A, MIL-STD-704D (80V for 0.1Sec)

Efficiency: 76 ÷ 85%

EMI/RFI:

Designed to meet or exceed MIL-STD-461C

CE03, CE07, CS01, CS02, CS06, RE02, RS02, RS03

Isolation :

200V between Input and Output

200V between Input and Case

DC OUTPUT (floating)

Line/Load regulation:

Less than ±1% (no load to full load, -55°C to +85°C)

Ripple and Noise: 50mVp-p, typical (max. 1%)

Current limiting and short circuit protection:

Continuous protection for unlimited time

Over voltage protection:

Electronic shutdown with automatic recovery and a passive transistor on output.

Over temperature protection:

Shutdown at baseplate temperature of +105°C (±5°C)

Automatic recovery at baseplate temperature lower than +95°C (±5°C)

Isolation:

200V between Output and Input

100V between Output and Case

PIN ASSIGNMENT

J1, INPUT CONNECTOR

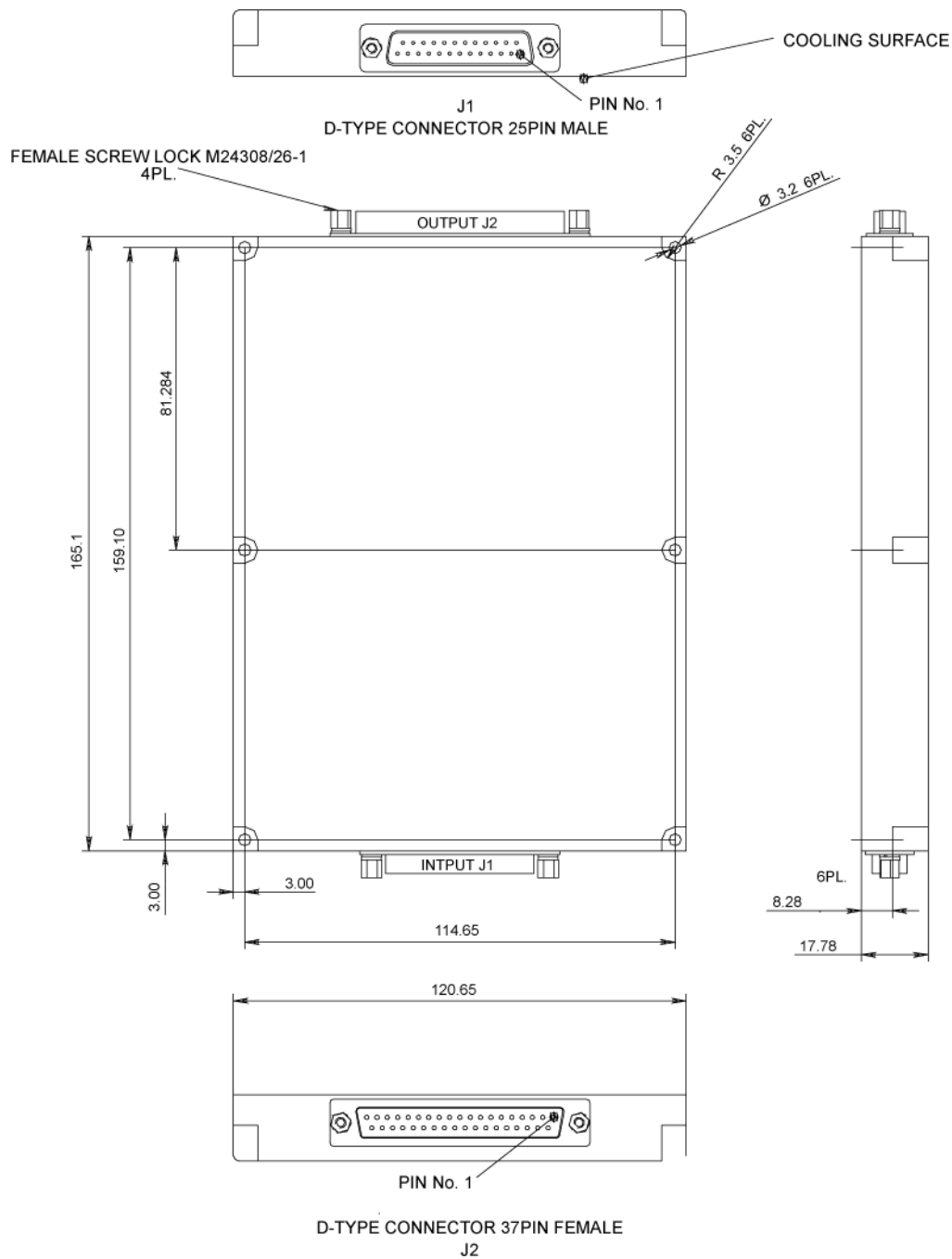
Pin Assignment	PIN Function
+ VIN	9, 10, 11, 12, 13, 22, 23, 24, 25
VIN RTN	5, 6, 7, 8, 17, 18, 19, 20, 21
INHIBIT 1	1
INHIBIT 2	2
INHIBIT 3	15
MAIN INHIBIT	16
SYN IN	4
SIGNAL RTN	3
CHASSIS	14

J2, OUTPUT CONNECTOR

Pin Assignment	PIN Function
VOUT 1	8, 9, 10, 27, 28
VOUT 1 RTN	11, 12, 29, 30, 31
+ SENSE 1	26
- SENSE 1	13
VOUT 2	2, 3, 4, 21, 22
VOUT 2 RTN	5, 6, 23, 24, 25
+ SENSE 2	1
- SENSE 2	7
VOUT 3	14, 15, 16, 33, 34
VOUT 3 RTN	17, 18, 35, 36, 37
+ SENSE 3	32
- SENSE 3	19
N.C.	20

* Specifications are subject to change without prior notice by the manufacturer

OUTLINE DRAWING



Notes

1. Dimensions are in mm
2. Tolerance is:
 .XX ± 0.02 inch
 .XXX ± 0.01 inch
3. Weight: Approx. 510gr

*Specifications are subject to change without prior notice by the manufacturer