

M6500 SERIES

MINIATURE, HIGH DENSITY,
HIGH EFFICIENCY, SINGLE OUTPUT,
DC / DC CONVERTERS

(UP TO 400W)



<p>Applications Military (ground-fix, shipboard), Ruggedized, Telecom, Industrial</p>											
<p>Special Features</p> <ul style="list-style-type: none"> • Miniature size • High efficiency • Wide input range • Input / Output isolation • Remote sense • External On/Off Inhibit • Zero Voltage Switching Technology • <u>Fixed</u> switching frequency (250 KHz) • External synchronization capability • <u>EMI</u> filters included • Indefinite short circuit protection with auto-recovery • Over-voltage shutdown with auto-recovery • Over temperature shutdown with auto-recovery 											
<p>Electrical Specifications</p> <table border="0"> <tr> <td> <p>DC Input: 18 to 48V_{DC} per MIL-STD-704E. No damage for: MIL-STD-1275A (100V for 50mSec) MIL-STD-704A (80V for 0.1 Sec)</p> </td> <td> <p>DC Output: Output range – 3.3V to 28V Output current – max 70A Output power – max 500W</p> </td> <td> <p>Isolation: 200V between Input and Output 200V between Input and Case 100V between Output and Case</p> </td> </tr> <tr> <td> <p>Line/Load regulation: Less than 1% (no load to full load, -55°C to +85°C).</p> </td> <td> <p>Efficiency : Typical 88-90% - (full load, room temperature)</p> </td> <td> <p>EMC: Designed to meet or exceed MIL-STD-461C CE03, CE07, CS01, CS02, CS06, RE02, RS02, RS03</p> </td> </tr> <tr> <td> <p>Ripple and Noise: Less than 50mV_{p-p}, typical (max. 1%) without external capacitance. When connected to system capacitance ripple drops significantly.</p> </td> <td> <p>Load Transient Overshoot and undershoot Output resistance at load change of 50%-100% is 30-120mΩ (depending on output voltage). Output back to steady stated within 300-500μSec</p> </td> <td> <p>Turn on Transient Voltage overshoot at during power on is less than 3% nominal voltage.</p> </td> </tr> </table>			<p>DC Input: 18 to 48V_{DC} per MIL-STD-704E. No damage for: MIL-STD-1275A (100V for 50mSec) MIL-STD-704A (80V for 0.1 Sec)</p>	<p>DC Output: Output range – 3.3V to 28V Output current – max 70A Output power – max 500W</p>	<p>Isolation: 200V between Input and Output 200V between Input and Case 100V between Output and Case</p>	<p>Line/Load regulation: Less than 1% (no load to full load, -55°C to +85°C).</p>	<p>Efficiency : Typical 88-90% - (full load, room temperature)</p>	<p>EMC: Designed to meet or exceed MIL-STD-461C CE03, CE07, CS01, CS02, CS06, RE02, RS02, RS03</p>	<p>Ripple and Noise: Less than 50mV_{p-p}, typical (max. 1%) without external capacitance. When connected to system capacitance ripple drops significantly.</p>	<p>Load Transient Overshoot and undershoot Output resistance at load change of 50%-100% is 30-120mΩ (depending on output voltage). Output back to steady stated within 300-500μSec</p>	<p>Turn on Transient Voltage overshoot at during power on is less than 3% nominal voltage.</p>
<p>DC Input: 18 to 48V_{DC} per MIL-STD-704E. No damage for: MIL-STD-1275A (100V for 50mSec) MIL-STD-704A (80V for 0.1 Sec)</p>	<p>DC Output: Output range – 3.3V to 28V Output current – max 70A Output power – max 500W</p>	<p>Isolation: 200V between Input and Output 200V between Input and Case 100V between Output and Case</p>									
<p>Line/Load regulation: Less than 1% (no load to full load, -55°C to +85°C).</p>	<p>Efficiency : Typical 88-90% - (full load, room temperature)</p>	<p>EMC: Designed to meet or exceed MIL-STD-461C CE03, CE07, CS01, CS02, CS06, RE02, RS02, RS03</p>									
<p>Ripple and Noise: Less than 50mV_{p-p}, typical (max. 1%) without external capacitance. When connected to system capacitance ripple drops significantly.</p>	<p>Load Transient Overshoot and undershoot Output resistance at load change of 50%-100% is 30-120mΩ (depending on output voltage). Output back to steady stated within 300-500μSec</p>	<p>Turn on Transient Voltage overshoot at during power on is less than 3% nominal voltage.</p>									
<p>Protections *</p> <table border="0"> <tr> <td> <p>Input</p> <ul style="list-style-type: none"> • Inrush Current Limiter Peak value of 5 x I_{IN} for less than 50μSec. • Under voltage protection Unit protects itself (no damage) below 16.5V_{DC}. • Over voltage protection Per MIL-STD-704D </td> <td> <p>Output</p> <ul style="list-style-type: none"> • Electronic Over Voltage Protection Internal control protects unit (no damage) 10% above nominal voltage. • Passive tranzorb on outputs 20% above nominal voltage. • Current limiting Continuous protection (Hiccup) set at 10-30% above nominal current. </td> <td> <p>General</p> <ul style="list-style-type: none"> • Over temperature protection Shutdown at base plate temperature of +105°C (±5°C) Automatic recovery at base plate temperature lower than +95°C (±5°C) </td> </tr> </table>			<p>Input</p> <ul style="list-style-type: none"> • Inrush Current Limiter Peak value of 5 x I_{IN} for less than 50μSec. • Under voltage protection Unit protects itself (no damage) below 16.5V_{DC}. • Over voltage protection Per MIL-STD-704D 	<p>Output</p> <ul style="list-style-type: none"> • Electronic Over Voltage Protection Internal control protects unit (no damage) 10% above nominal voltage. • Passive tranzorb on outputs 20% above nominal voltage. • Current limiting Continuous protection (Hiccup) set at 10-30% above nominal current. 	<p>General</p> <ul style="list-style-type: none"> • Over temperature protection Shutdown at base plate temperature of +105°C (±5°C) Automatic recovery at base plate temperature lower than +95°C (±5°C) 						
<p>Input</p> <ul style="list-style-type: none"> • Inrush Current Limiter Peak value of 5 x I_{IN} for less than 50μSec. • Under voltage protection Unit protects itself (no damage) below 16.5V_{DC}. • Over voltage protection Per MIL-STD-704D 	<p>Output</p> <ul style="list-style-type: none"> • Electronic Over Voltage Protection Internal control protects unit (no damage) 10% above nominal voltage. • Passive tranzorb on outputs 20% above nominal voltage. • Current limiting Continuous protection (Hiccup) set at 10-30% above nominal current. 	<p>General</p> <ul style="list-style-type: none"> • Over temperature protection Shutdown at base plate temperature of +105°C (±5°C) Automatic recovery at base plate temperature lower than +95°C (±5°C) 									

* Thresholds and protections can be modified / removed – please consult factory.

Environmental

Design to Meet MIL-STD-810F

Temperature:

Operating: -55°C to +85°C
(base plate)

Storage: -55°C to +125°C

Humidity:

Method 507.4 - Up to 95%.

Altitude:

Method 500.4, Procedure I & II, 40,000 ft. and 70,000 ft. Operational

Vibration and Shock:

Vibration - Figure 514.5C-17. General minimum integrity exposure. (1 hour per axis.)

Shock - Saw-tooth, 20g peak, 11mS.

Salt Fog:

Method 509-4

Reliability

150,000 hours, calculated per MIL-STD-217F at +85°C base plate, Ground fixed.

Environmental Stress Screening (ESS)

Including random vibration and thermal cycles is also available. **Please consult factory for details.**

Pin Assignment

Pin No.	Function
1	+ SENSE
2	SIGNAL RTN
3	SYNC IN
4	INHIBIT
5	- SENSE
6	N.C.
7	SYNC OUT

Pin No.	Function
A1	+ OUT
A2	+ OUT
A3	- OUT
A4	- OUT
A5	- VIN
A6	+ VIN

* All pins with the same name and function should be connected together for best performance.

Functions and Signals

INHIBIT signal

The INHIBIT signal is used to turn the power supply ON and OFF.

TTL "1" or OPEN – will turn on the power supply. (For normal operation leave the signal not connected.)

TTL "0" – will turn off the power supply.

SYNC IN signal

The SYNC IN signal is used to allow the power supply frequency to sync with the system frequency. The system frequency should be $250\text{kHz} \pm 10\text{kHz}$.

When not connected the power supply will work at 250kHz

SYNC OUT signal

The SYNC OUT signal is used to sync the system with the power supply frequency.

SIGNAL RTN

The INPUT SIGNAL RTN is referred to the input.

This is used as grounding for SYNC IN, SYNC OUT and INHIBIT signals.

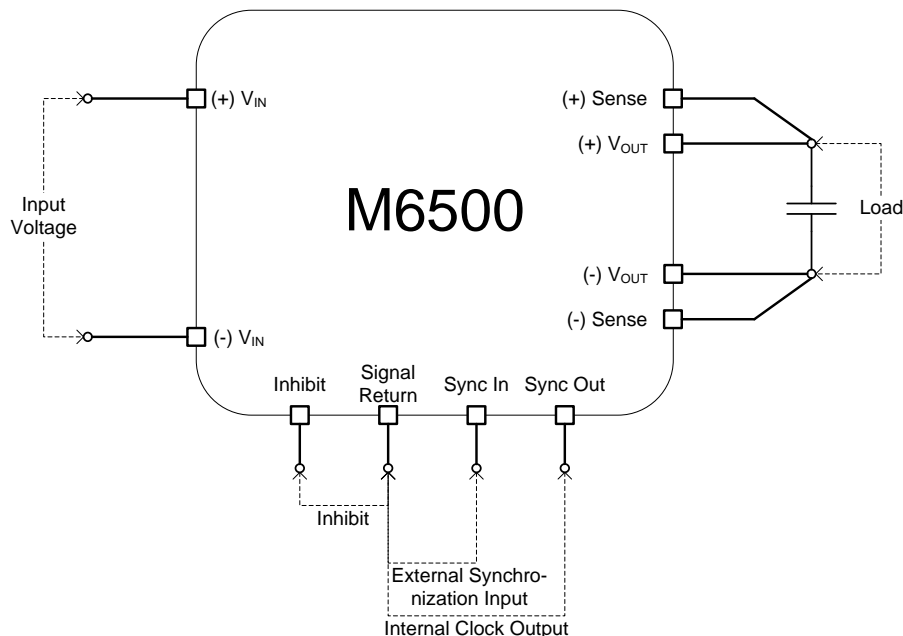
SENSE

The SENSE is used to achieve accurate load regulations at load terminals (this is done by connecting the pins directly to the load's terminals).

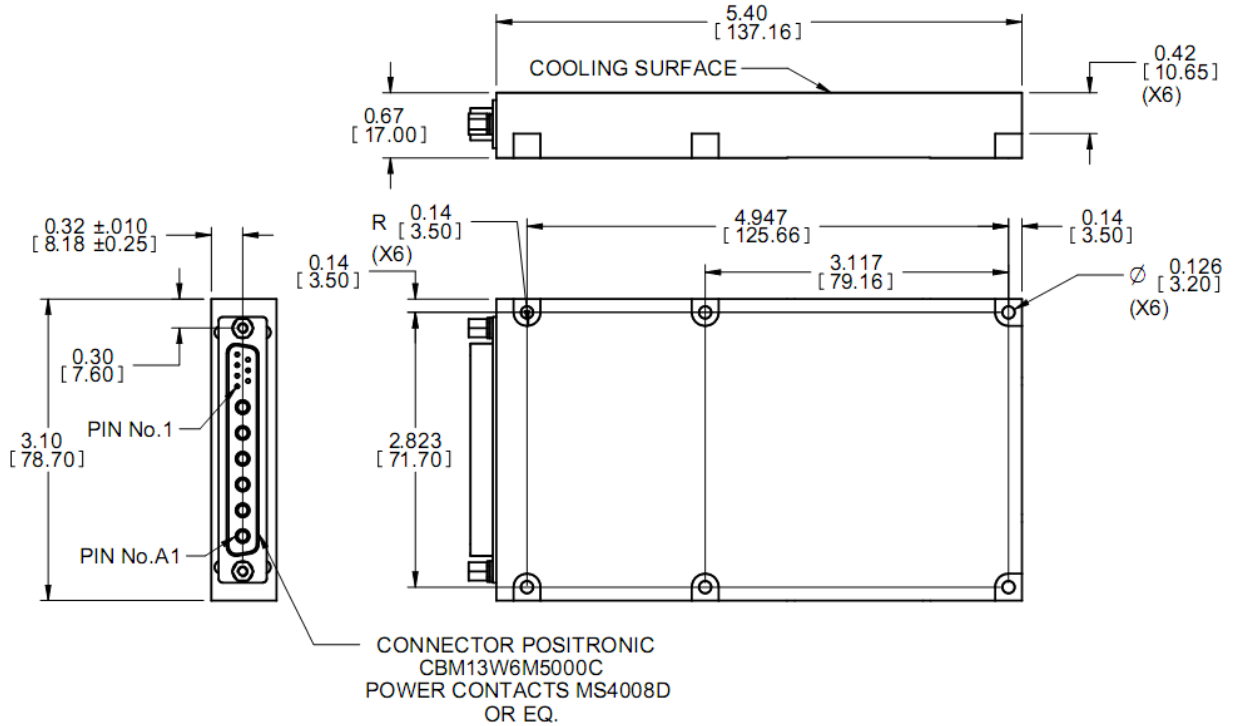
The use of remote sense has a limit of voltage dropout between converter's output and load terminals of 2-10% of voltage output.

When not used connect + SENSE to +VOUT and -SENSE to -VOUT

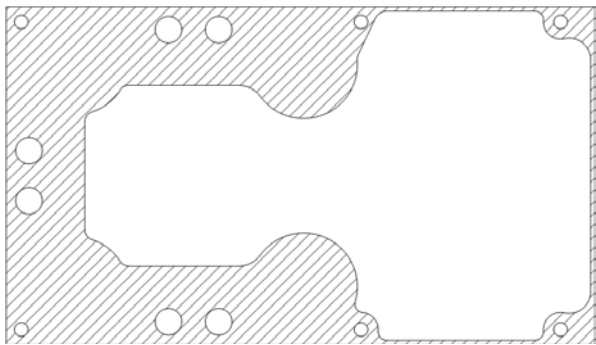
Typical Connection



Outline Drawing



Heat Dissipation Surface



Dissipation Area
6.603 in²
(4260 mm²)

Notes

1. Dimensions are in Inches [mm]
2. Tolerance is:
.XX ±0.01 IN
.XXX ±0.005 IN
3. Weight: Approx. 355gr (12.52 Oz)
4. Mounting holes can be modified – please consult factory.
5. Parasolid 3D module is available for download on site.

* Specifications are subject to change without prior notice by the manufacturer.